

ENGINE

Complies with European Directive	97/68 CE - STAGE 3	97/68 CE - STAGE 4F
Max Power	HP - kW 130 - 95,8	HP - kW 126,5 - 93
Regimen adjusted	rpm 2200	rpm 2200
Number of cylinders	4 charged intercooler	4 charged intercooler
Injection	Direct and electronic	Direct and electronic
Intake	Turbo	Turbo
Displacement	cc. 4400	cc. 4400
Cooling	Water	Water
Air filter with double protection	Dry	Dry
Electrical equipment	12 volt	12 volt
Free maintenance battery	180 Ah	180 Ah
Self regulated alternator	1140 W	1140 W
Fuel tank capacity	180 l	180 l
Water radiator	Hydraulic fan	Hydraulic fan

TRANSMISSION

High-pressure, closed-loop hydrostatic transmission, with automatic adjustment of power, axial pistons pump and engine at variable displacement. Inching pedal control for traction regulation, modulating, integrated in the service brake pedal. Automatic working speed selection. N°4 forward and backward speeds: 2 workingspeeds + 2 transfer speeds with electronic controls at the joystick.

SPEED

		1 st	2 nd automatic
Working speed (with 17,5 R25 tyres)			
Forwards	Km/h	0 ÷ 4	0 ÷ 13
Backwards	Km/h	0 ÷ 4	0 ÷ 13
Travel speed (with 17,5 R25 tyres)			
Forwards	Km/h	0 ÷ 11	0 ÷ 40
Backwards	Km/h	0 ÷ 11	0 ÷ 40

AXLES

With epicycloid reduction on all four driving wheels.
 Front axle: rigid with automatic proportional self-locking differential (or 100% opt.)
 Rear axle: oscillating of a 25° total range steering.

BRAKES

Duty brakes: with hydraulic control on all four wheels at multiple disks under oil bath integrated in the axels, with 2 independent circuits.
 Parking brakes: electro-hydraulic automatic negative brake, acting on the front axel.

HYDRAULIC SYSTEM

Composed by: hydraulic gear pump, modular distributor with main relief valve, double pump + fan-drive, shock-proof, anticavitation valve and unloading valve for the secondary pump discharge. Pressurised circuit.

Max pump capacity:	134 l
Max pump pressure:	240 Kg/cm ²
Loader lifting cylinder:	Bore x Stroke 100 x 700 mm
Loader bucket cylinder:	Bore x Stroke 120 x 490 mm
Oil tank capacity:	80 l
Heat exchanger:	hydraulic fan

STEERING

Servoassisted, with hydroguide and articulated chassis. Total steering angle of 80°. The hydraulic system is "Load Sensing" equipped with valve on the primary pump.

TYRES

Standard:	driving type	15,5 x 25
Optional:		455/70 R24 radial
Optional:		15,5 R25 radial
Optional:		17,5 R25 radial
Optional:		17,5 - 25
Other models on request.		

LOADER

Single electronic servo control lever for arm and bucket.
 Electronic bucket levelling and electronic parallelism with forks.
 Telescopic boom, with 1050 mm extension.

DIMENSIONS

Wheelbase	2750 mm
Front and rear track width	1800 mm
External tyres width	(with 15,5 x 25) 2204 mm

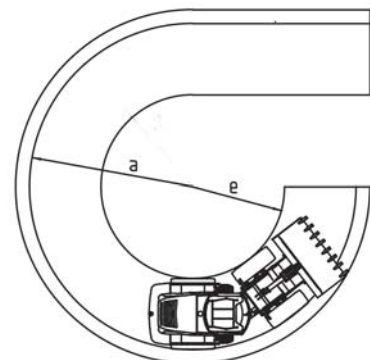
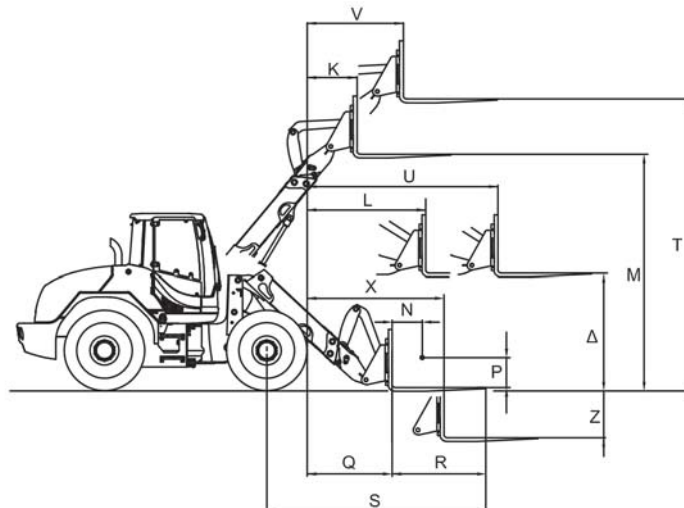
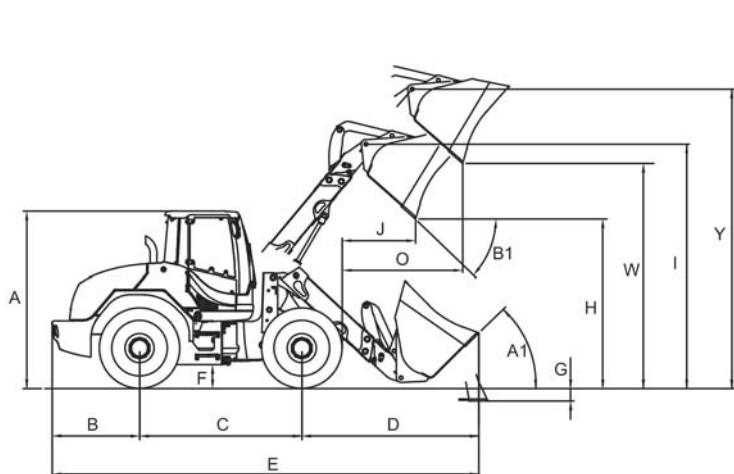
STANDARD EQUIPMENT

- Loader servo control
- Automatic proportional self-locking differential on front and rear axle
- Inching control on brake pedal (transmission speed regulations)
- Antipollution tank plug
- Bucket with screwed teeth
- Reverse motion alarm
- Battery disconnecting switch
- Front and rear work lights
- Rotating lamp with magnetic fixing
- Shock absorbing and regulating "Deluxe" seat, with safety belt
- Regulating steering wheel
- Bucket electronic levelling
- Fan drive with two speed
- Heating plant
- Air filter in aspiration from outside
- Rotoform front mudguards
- Tool box
- Use and maintenance manual, spare parts catalogue
- Accessories for road circulation
- Italian road homologation for daily and night circulation
- CE Certification

OPTIONAL EQUIPMENT

- 100% differential locking on rear axle
- Hydraulic quick bucket connection
- Universal forks
- Enlarged bucket
- Extra enlarged bucket for light material
- Enlarged bucket for light material having higher unloading
- 4:1 multipurpose bucket
- Paper and branches grab
- Bucket with side unloading
- Mixer bucket
- Wood grab
- Snow blade or snow plough
- Front rotating brush with bucket
- Teeth blade
- Asphalt concrete milling
- Inching control manually operated
- Electronic weighting system
- Air conditioning
- Radio
- Theft protection
- Ride control
- Floating
- Fan drive with electronic reverse
- Video camera
- Pneumatic seat

For other accessories and equipment for characteristics and dimension, please see the "equipment catalogue".



Date according to bucket type PT 182 with 14,5 x 20 tyres	STD.	ENLARGED	EXTRA ENLARGED	4:1
Capacity heaped	m ³ 1,4	1,6	2,0	1,3
Material density	kg/m ³ 1800	1500	1200	1800
Tipping load with aligned machine (ISO 14397) retracted boom	kg 5157	5067	4955	5145
Tipping load in max articulated position (40°) (ISO 14397) retracted	kg 4605	4525	4425	4596
Tipping load with aligned machine (ISO 14397) extended boom	kg 3218	3156	3077	3208
Tipping load in max articulated position (40°) (ISO 14397) extended	kg 2874	2818	2748	2860
Lifting capacity at max height retracted boom	kN 41,50	40,50	38,00	41,30
Lifting capacity at max height extended boom	kN 28,26	27,26	25,76	28,10
Breakout force	kN 83,15	79,00	68,67	83,15
E total length	mm 6705	6735	6810	6705
Bucket width	mm 2250	2400	2400	2350
Rotation diameter	mm 11560	11610	11750	11560
G digging depth	mm 172	172	172	172
H dump height 45° retracted	mm 3106	3073	2974	3125
W dump height 45° extended	mm 3855	3822	3722	3875
J reach at max height retracted	mm 1002	1039	1152	980
O reach at max height extended	mm 1815	1853	1965	1765
Operating weight	kg 9000	9100	9200	9150

PT 182 15,5 x 25 tyres	
A	2860 mm
B	1320 mm
C	2750 mm
F	365 mm
e	2830 mm
a	5165 mm
I	3987 mm
Y	4791 mm
K	854 mm
L	2000 mm
M	3777 mm
N	500 mm
P	500 mm
Q	1440 mm
R	1200 mm
S	3275 mm
T	4581 mm
U	3050 mm
V	1528 mm
Z	814 mm
X	2207 mm
Δ	1802 mm

Data with universal forks Centre of gravity 500 mm	
Operative load with retracted forks EN 474-3 (80%)	kg 2950
Operative load with retracted forks EN 474-3 (60%)	kg 2212
Operative load with extended forks EN 474-3 (80%)	kg 2162
Operative load with extended forks EN 474-3 (60%)	kg 1622

PALOAD is mark produced by Palazzani Industrie S.p.A.
NC 551 A 18 Technical sheet PT 182 english