

## ENGINE

Complies with European Directive	97/68 CE
Max Power	HP - kW 130 - 95,8
Regimen adjusted	rpm 2200
Number of cylinders	4 charged intercooler
Injection	Direct and electronic
Intake	Turbo
Displacement	cc. 4400
Cooling	Water
Air filter with double protection	Dry
Electrical equipment	12 volt
Free maintenance battery	180 Ah
Self regulated alternator	1140 W
Fuel tank capacity	180 l
Water radiator	Hydraulic fan

## TRANSMISSION

High-pressure, closed-loop hydrostatic transmission, with automatic adjustment of power, axial pistons pump and engine at variable displacement. Inching pedal control for traction regulation, modulating, integrated in the service brake pedal. Automatic working speed selection. N°4 forward and backward speeds: 2 workingspeeds + 2 transfer speeds with electronic controls at the joystick.

## SPEED

		1 <sup>st</sup>	2 <sup>nd</sup> automatic
Working speed (with 17,5 R25 tyres)			
Forwards	Km/h	0 ÷ 4	0 ÷ 13
Backwards	Km/h	0 ÷ 4	0 ÷ 13
Travel speed (with 17,5 R25 tyres)			
Forwards	Km/h	0 ÷ 11	0 ÷ 40
Backwards	Km/h	0 ÷ 11	0 ÷ 40

## AXLES

With epicycloid reduction on all four driving wheels, with automatic proportional self-locking differentials (or 100% optional)

Front axle: rigid  
 Rear axle: oscillating of a 25° total range steering.

## BRAKES

Duty brakes: with hydraulic control on all four wheels at multiple disks under oil bath integrated in the axels, with 2 independent circuits.  
 Parking brakes: electro-hydraulic automatic negative brake, acting on the front and rear axels.

## HYDRAULIC SYSTEM

Composed by: hydraulic gear pump, modular distributor with main relief valve, double pump + fan-drive, shock-proof, anticavitation valve and unloading valve for the secondary pump discharge. Pressurised circuit.

Max pump capacity:	134 l
Max pump pressure:	250 Kg/cm <sup>2</sup>
Loader lifting cylinder:	Bore x Stroke 100 x 700 mm
Loader bucket cylinder:	Bore x Stroke 120 x 490 mm
Oil tank capacity:	80 l
Heat exchanger:	hydraulic fan

## STEERING

Servoassisted, with hydroguide and articulated chassis. Total steering angle of 80°. The hydraulic system is "Load Sensing" equipped with valve on the primary pump.

## TYRES

Standard:	17,5 - 25
Optional:	15,5 x 25 radial
Optional:	500/70 R24 radial
Optional:	15,5 - 25
Optional:	17,5 R25 radial
Other models on request.	

## LOADER

Single electronic servo control lever for arm and bucket.  
 Electronic bucket levelling and electronic parallelism with forks.  
 Telescopic boom, with 1200 mm extension.

## DIMENSIONS

Wheelbase	2750 mm
Front and rear track width	1800 mm
External tyres width	(with 17,5 x 25) 2260 mm

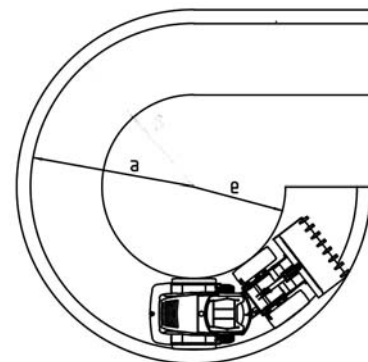
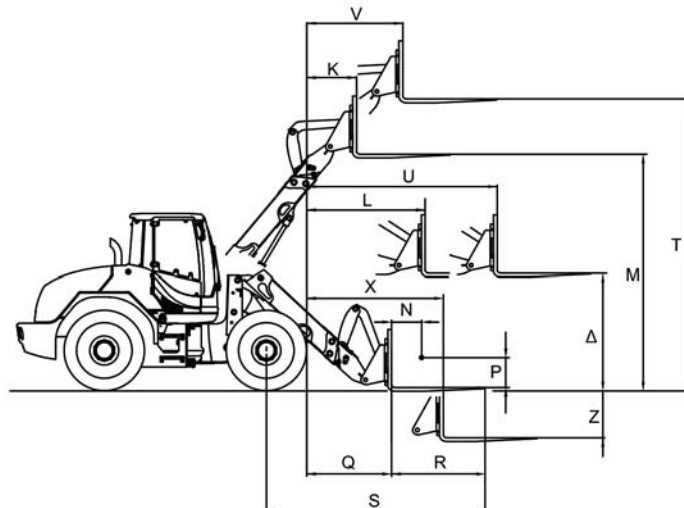
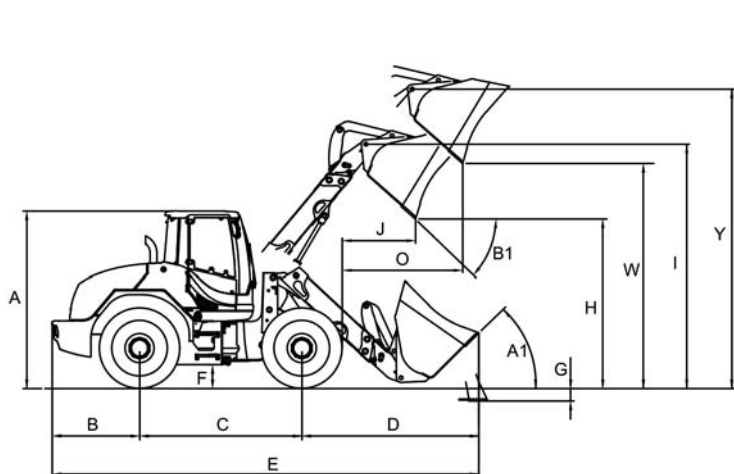
## STANDARD EQUIPMENT

- Loader servo control
- Automatic proportional self-locking differential on front axle
- Inching control on brake pedal (transmission speed regulations)
- Antipollution tank plug
- Bucket with screwed teeth
- Reverse motion alarm
- Battery disconnecting switch
- Front and rear work lights
- Rotating lamp with magnetic fixing
- Shock absorbing and regulating "Deluxe" seat, with safety belt
- Regulating steering wheel
- Bucket electronic levelling
- Fan drive with two speed
- Heating plant
- Air filter in aspiration from outside
- Rotoform front mudguards
- Tool box
- Use and maintenance manual, spare parts catalogue
- Accessories for road circulation
- Italian road homologation for daily and night circulation
- CE Certification

## OPTIONAL EQUIPMENT

- 100% differential locking on rear axle
- Hydraulic quick bucket connection
- Universal forks
- Enlarged bucket
- Extra enlarged bucket for light material
- Enlarged bucket for light material having higher unloading
- 4:1 multipurpose bucket
- Paper and branches grab
- Bucket with side unloading
- Mixer bucket
- Wood grab
- Snow blade or snow plough
- Front rotating brush with bucket
- Teeth blade
- Asphalt concrete milling
- Inching control manually operated
- Electronic weighting system
- Air conditioning
- Radio
- Theft protection
- Ride control
- Floating
- Empowered battery 12V 185 Ah
- Fan drive with electronic reverse
- Video camera
- Pneumatic seat

For other accessories and equipment for characteristics and dimension, please see the "equipment catalogue".



Date according to bucket type PT 192 with 17,5 x 25 tyres	STD.	ENLARGED	EXTRA ENLARGED	4:1	
<b>Capacity heaped</b>	m <sup>3</sup>	1,6	1,8	2,2	1,5
<b>Material density</b>	kg/m <sup>3</sup>	1800	1500	1200	1800
<b>Tipping load with aligned machine (ISO 14397) retracted boom</b>	kg	5560	5460	5347	5550
<b>Tipping load in max articulated position (40°) (ISO 14397) retracted</b>	kg	5075	4983	4880	5065
<b>Tipping load with aligned machine (ISO 14397) extended boom</b>	kg	3252	3184	3100	3142
<b>Tipping load in max articulated position (40°) (ISO 14397) extended</b>	kg	2968	2906	2830	2952
<b>Lifting capacity at max height retracted boom</b>	kN	42,95	41,95	39,42	42,75
<b>Lifting capacity at max height extended boom</b>	kN	27,92	26,92	25,42	27,76
<b>Breakout force</b>	kN	86,63	82,29	74,80	86,63
<b>E Total length</b>	mm	6707	6737	6820	6775
<b>Bucket width</b>	mm	2400	2450	2450	2400
<b>Rotation diameter</b>	mm	11640	11690	118450	116460
<b>G digging depth</b>	mm	142	142	142	142
<b>H dump height 45° retracted</b>	mm	3136	3103	3004	3155
<b>W dump height 45° extended</b>	mm	4000	3967	3868	4020
<b>D outreach</b>	mm	2637	2667	2750	2705
<b>J reach at max height retracted</b>	mm	964	1001	1114	942
<b>O reach at max height extended</b>	mm	1874	1912	2024	1854
<b>Operating weight</b>	kg	9600	9700	9800	9750

PT 192 15,5 x 25 tyres	
A	2890 mm
B	1320 mm
C	2750 mm
F	400 mm
e	2830 mm
a	5165 mm
I	4017 mm
Y	4936 mm
K	816 mm
L	1961 mm
M	3807 mm
N	500 mm
P	500 mm
Q	1401 mm
R	1200 mm
S	3275 mm
T	4727 mm
U	3161 mm
V	1587 mm
Z	886 mm
X	2278 mm
Δ	1832 mm

Data with universal forks Centre of gravity 500 mm	
Operative load with retracted forks EN 474-3 (80%)	kg 3130
Operative load with retracted forks EN 474-3 (60%)	kg 2348
Operative load with extended forks EN 474-3 (80%)	kg 2228
Operative load with extended forks EN 474-3 (60%)	kg 1671

PALOAD is mark produced by Palazzani Industrie S.p.A.  
NC 358 A 13 Technical sheet PT 192 english Rev. 07/2015



**COMPANY WITH QUALITY SYSTEM CERTIFIED BY DNV GL = ISO 9001 = MACHINE DI CONFORMITY TO THE NEW MACHINES' STANDARDS**

We reserve the right to change technical data, so all characteristics are purely indicative. Pictures don't show necessarily the machine in standard version.